

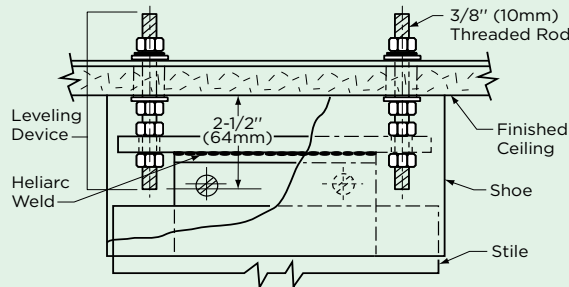
Advisory Bulletin



BUILDING VALUE SINCE 1906

TB-32 Suggested Mounting Systems for Ceiling-Hung Toilet Partitions

Front View



Approximate Weight:

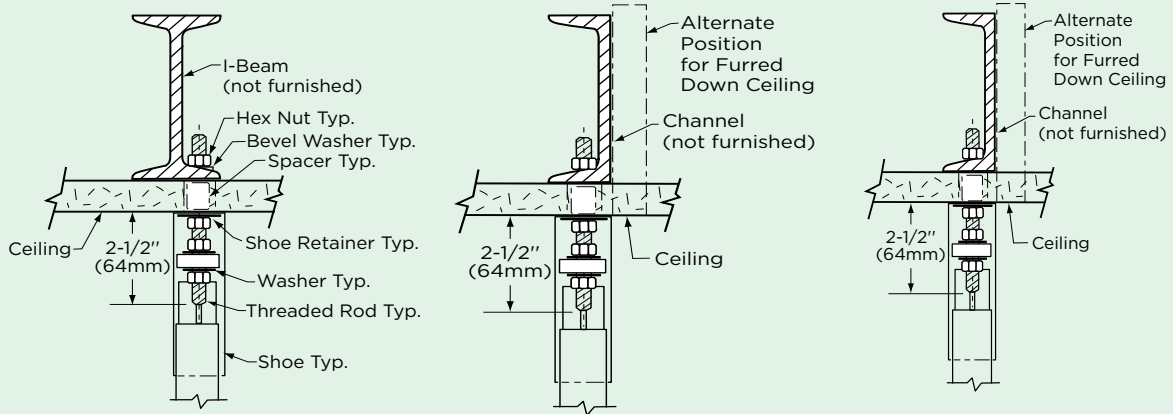
High Pressure Laminate Partition — 295 lb
 Compact Grade Laminate Partition — 275 lb

Provisions must be in the construction of the building to support ceiling-hung toilet partitions. Structure in ceiling, not furnished by Bobrick, must support at least 295 lb per high pressure laminate partition and 275 lb per compact grade laminate partition, and must be sufficiently rigid to withstand swinging motion of toilet partition doors and impact of doors against stiles. Some suggested mounting systems are shown below. Actual mounting system, including lateral bracing, if required, must be designed by the architect or structural engineer, and furnished by others.

Note: If adequate ceiling support cannot be provided, the floor-anchored or overhead-braced toilet compartments are recommended.

Each ceiling anchor assembly includes a threaded rod (1), hex nuts (3), flat washers (2), lock washer (2), flat shoe retainer (1) and expansion anchor (1). A four-inch (102mm) high stainless steel shoe is furnished to cover the leveling device after installation is completed.

Side Views



I-Beam Support

Channel Support

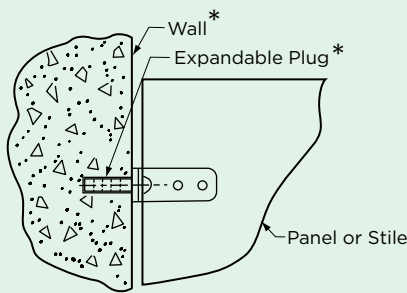
Angle Support

Advisory Bulletin

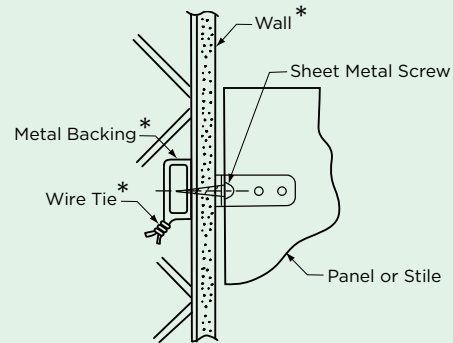


BUILDING VALUE SINCE 1906

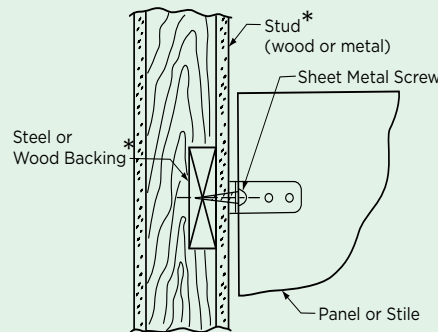
Recommended Methods for Attaching to Wall



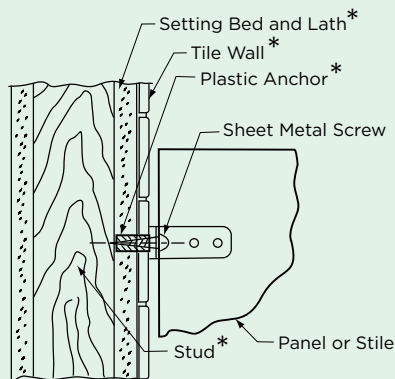
Masonry Wall



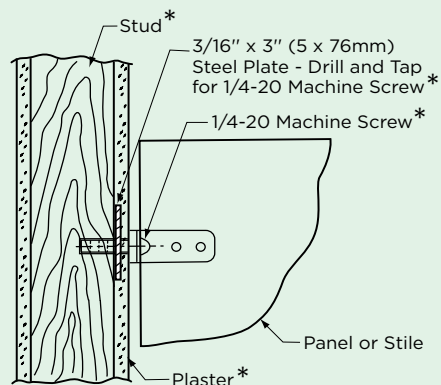
Sheet Metal Wall



Stud Wall



Tile Wall with Setting Bed



Plaster on Stud Wall

*** Not Furnished by Bobrick**