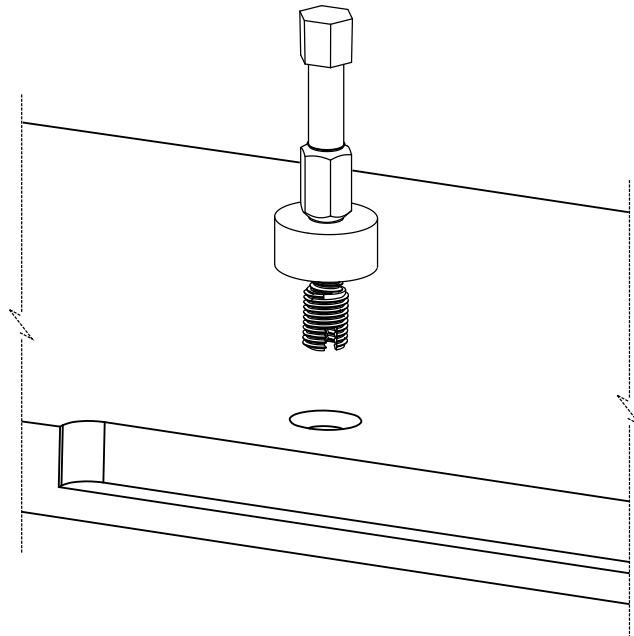


# INSTALLATION INSTRUCTIONS

## TOOL FOR INSERT



**BUILDING VALUE SINCE 1906**

## PREPARATION

### IMPORTANT NOTE.

The insert installation tool is intended to drive a brass insert into a pre-drilled 3/4" thick compact laminate (CGL) and solid reinforced composite (SCRC) materials.

### TOOLS NEEDED.

**CAUTION:** Be sure to use proper safety gear.

1. Insert Installation Tool



2. Power Driver



### INCLUDED PARTS.

1. #1080-130 Insert Installation Tool

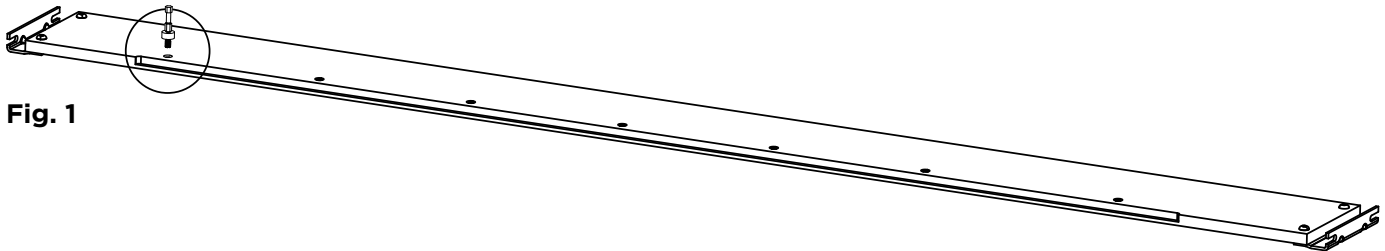


2. Brass Insert



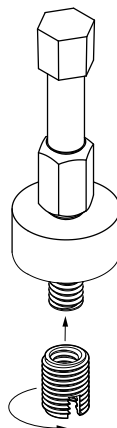
## INSTALLATION INSTRUCTIONS

- A. Place the component on a flat surface with drilled pilot holes facing up. **Fig. 1**



**Fig. 1**

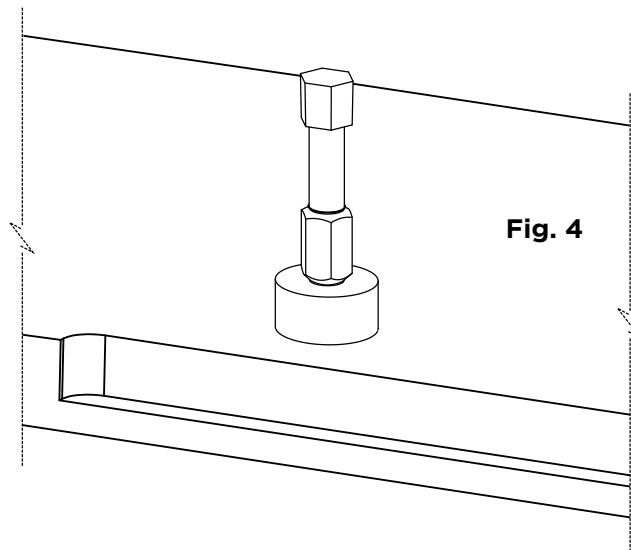
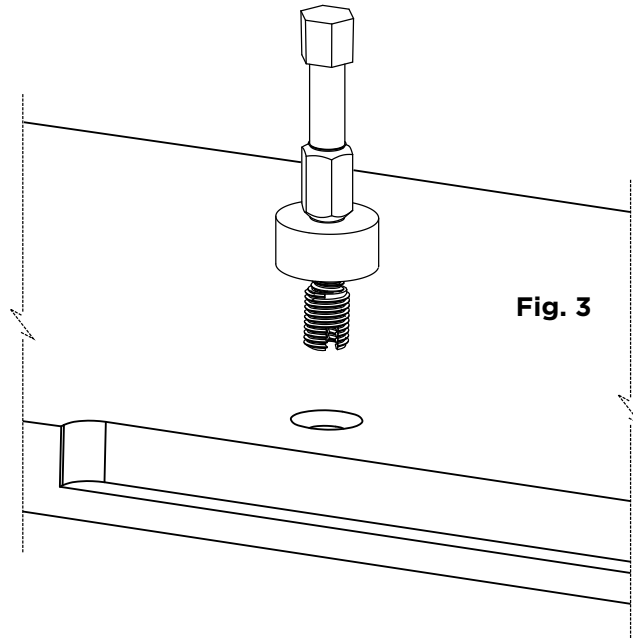
- B. Locate the brass insert and the #1080-130 insert installation tool.
- C. Fasten brass insert into insert installation tool until it is fully seated. **Fig. 2**



**Fig. 2**

## INSTALLATION INSTRUCTIONS

- D. Using a power driver at a low setting, center the brass insert straight into pilot hole and drive insert until fully inserted. Do not over-torque. **Fig. 3**
- E. Set driver in reverse setting to remove insert tool. **Fig. 4**



- F. Ensure insert sits fully flush with material surface. If insert is not fully flush with material surface, increase driver torque and drive insert until it is completely flush with surface of material.



**BUILDING VALUE SINCE 1906**

**In the U.S.A.: BOBRICK WASHROOM EQUIPMENT, INC.**

**Los Angeles:** 6901 Tujunga Ave., North Hollywood, CA 91605-6213; Tel: (818) 982-9600, FAX: (818) 503-1102

**New York:** 200 Commerce Drive, Clifton Park, NY 12065-1350; Tel: (518) 877-7444, FAX: (518) 877-5029,  
or e-mail: [customerservice@bobrick.com](mailto:customerservice@bobrick.com)

**In Canada: BOBRICK WASHROOM EQUIPMENT COMPANY**

45 Rolark Drive, Scarborough, Ontario M1R 3B1

Eastern Canada Tel: (877) 423-6555, Fax: 877-423-8555; Western Canada Tel: ( 877) 423-6444, Fax: 877-423-8444,  
or e-mail [customerservice@bobrick.com](mailto:customerservice@bobrick.com)